

Banded landscape glazed Ls90 partitioning



Ls90



Komfort partitioning product comparison chart can be found on the inside back cover of this brochure



harmonious

Full height glazed Ls90 with clerestorey glazing and full height double glazed doors

Ls90





Full height glazed Ls90 with
banded applied film graphics

Ls90



Full height veneered Ls90
integrating with single
glazed Polar

Ls90


Ls90 is a recessed head and base bi-block system with a range of interchangeable panel types and finishes. It has been designed for future change with deflection head and base tracks creating a fully relocatable system


Technical spec at a glance


 **DIMENSIONS:**
Up to 4000mm high


 **FIRE RATINGS:**
Solid Panel - up to 60 minutes
Triple Glazed - up to 30 minutes

 **ACOUSTICS:**
Steel Panel - up to 50dB (Rw)
Double Glazed - up to 45dB (Rw)

 **STRUCTURE:**
Up to severe duty

 **WEIGHT Per m² (kg):**
Steel faced plasterboard up to 31.51
Veneered up to 34.27
Glazed up to 55.43 (triple glazed)

 **BLINDS:**
Yes - integral

 **MANIFESTATION:**
Yes

Detailed Ls90 drawings can be found on pages 66-67. In addition a partitioning product comparison chart can be found on the inside back cover of this brochure.

For further technical specifications and technical drawing downloads go to - www.komfort.com



Creativity experiences a new freedom with Ls90. Its diverse panel options, striking materials and unlimited application possibilities ensure that designers' visions become reality.

Ls90



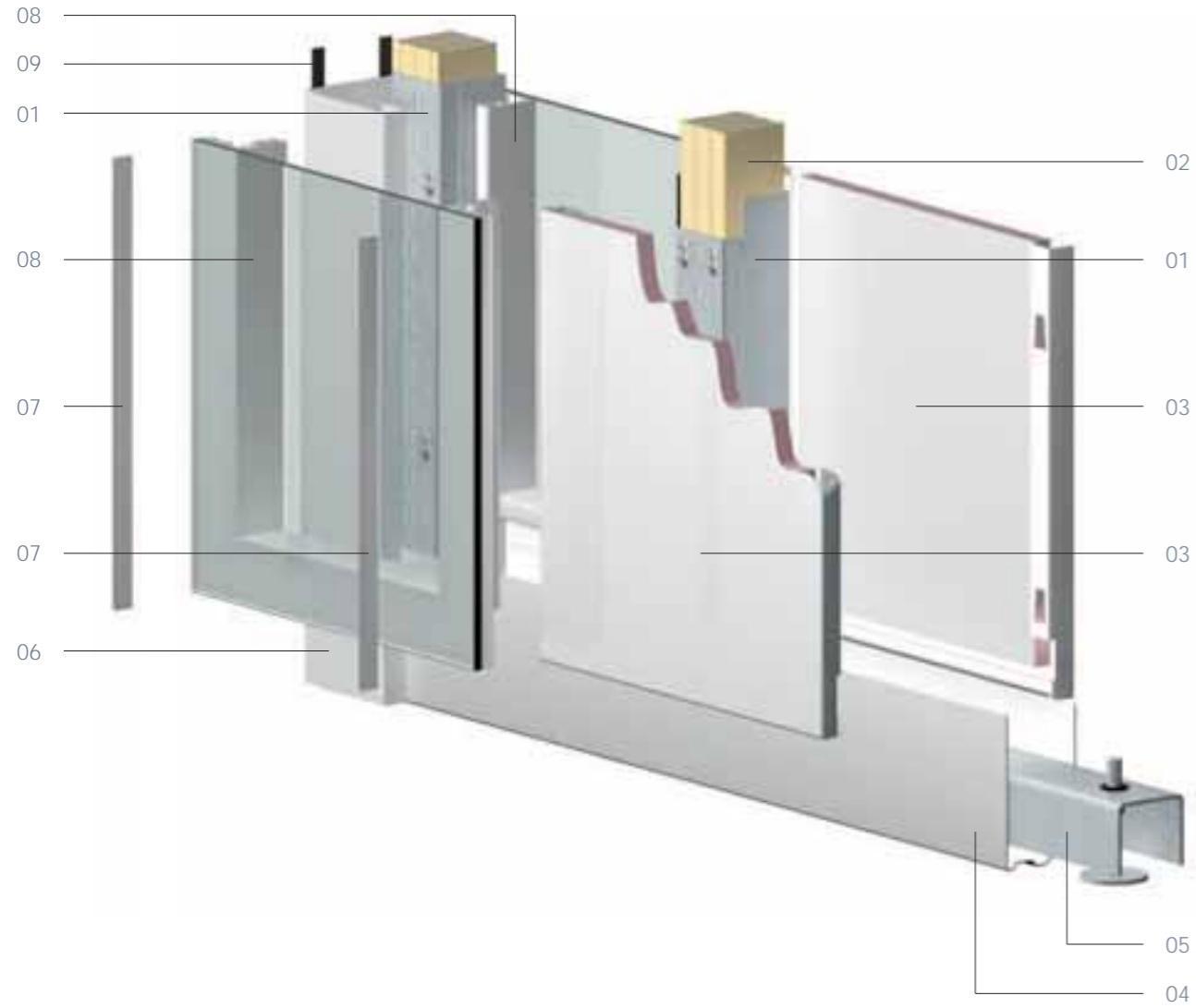
Full height glazed and solid Ls90 with integral blinds



Full height banded veneered Ls90



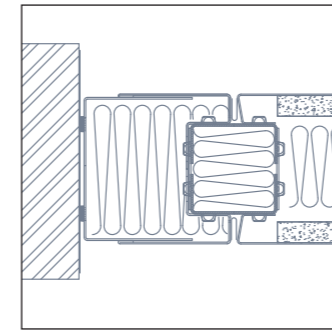
Full height glazed Ls90 with veneered doors and rebated overpanels



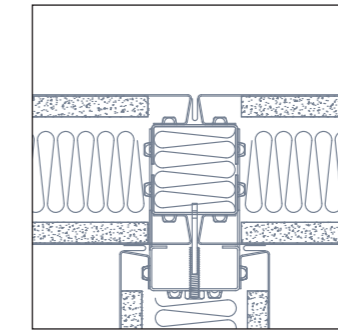
Ls90 - 90mm partitioning system

- | | |
|-----------------------------------|--------------------------------------|
| 01 Steel vertical stud | 06 Wall abutment channel |
| 02 Stud insulation | 07 PVCu joint infill |
| 03 Plasterboard steel faced panel | 08 Pre-assembled glazed window frame |
| 04 Steel base channel | 09 Abutment foam |

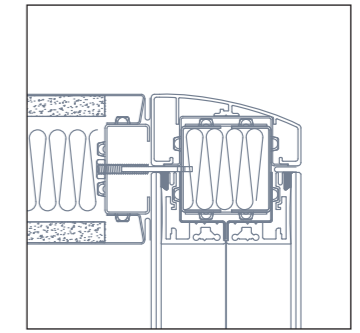
Note: For clarity the cavity infill has not been shown



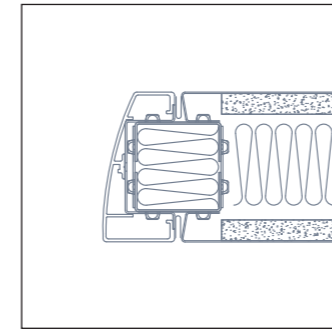
Solid abutment



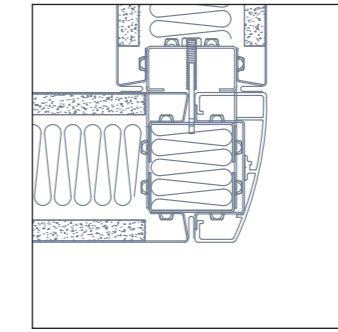
3 way solid junction



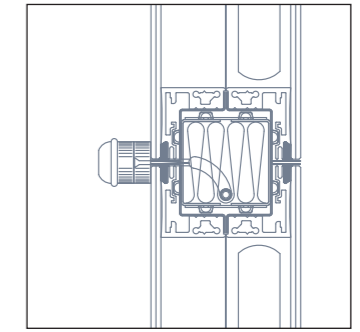
90° solid to glazed junction



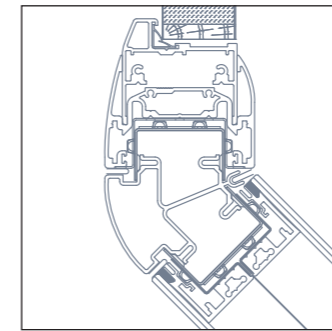
Solid fair end



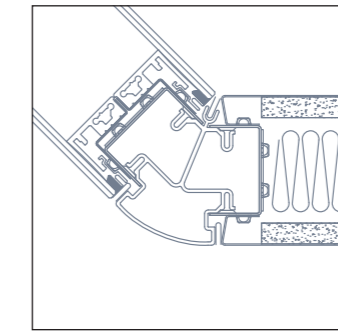
90° solid to solid junction



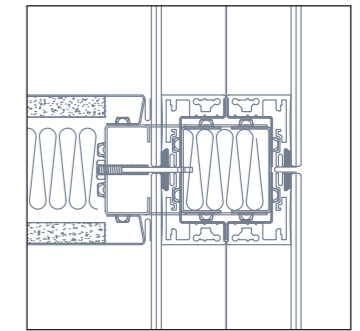
Glazed to glazed junction



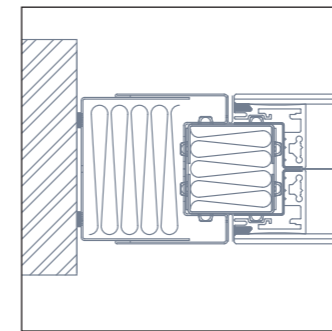
135° glazed to doorset junction



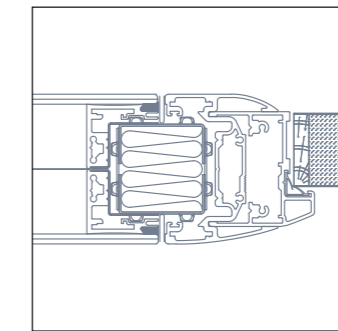
135° solid to glazed junction



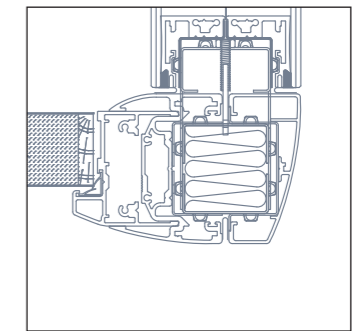
3 way glazed to solid to glazed junction



Glazed abutment



Glazed to doorset junction



90° glazed to doorset junction



Full height glazed Ls90 with Workwall storage and desking units



Ls90 featuring Workwall

intimate

Full height glazed Ls90 with veneered Workwall panel



Incorporating Workwall into double glazed Ls90 introduces a vertical, space saving aspect to the system. Designed to incorporate flat screen and telephone technology, these workstations are perfect for providing hot desking requirements.

Ls90 featuring Workwall



Ls90 with Workwall laminate panel



Glazed Ls90 with Workwall storage units



Workwall storage and desking units